



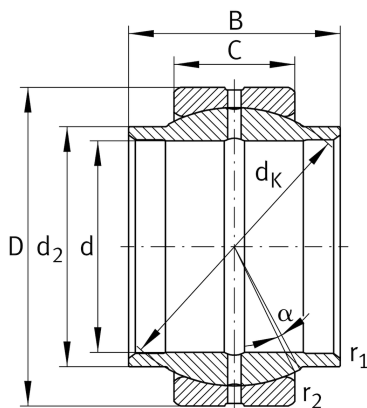
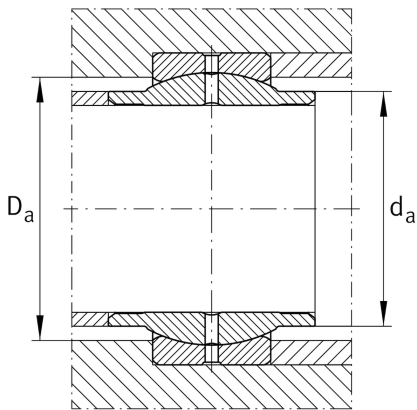
GE40-LO

Spherical plain bearing

Schaeffler ID:
0066530570000

Radial spherical plain bearing, requiring maintenance, sliding contact surface: steel/steel, DIN ISO 12240-1, dimension series W, cylindrical extensions on inner ring, open design

Technical information



Main Dimensions & Performance Data

d	40 mm	Bore diameter bearing
D	62 mm	Outside diameter bearing
B	40 mm	Width Inner ring
C_r	99,100 N	Basic dynamic load rating, radial
C_{0r}	496,000 N	Basic static load rating, radial
	0.343 kg	Weight

Dimensions

C	22 mm	Width Outer ring
d_K	53 mm	Ball diameter
α	4 °	Tilt angle
r_{1smin}	0.6 mm	Edge Spacing
r_{2smin}	1 mm	Edge Spacing
d_{OT}	0.025 mm	Bore diameter bearing, upper tolerance
d_{UT}	0 mm	Bore diameter bearing, lower tolerance
D_{OT}	0 mm	Outside diameter, upper tolerance
D_{UT}	-0.013 mm	Outside diameter, lower tolerance
B_{OT}	0 mm	Width inner ring, upper tolerance
G_r	0,06 - 0,12 mm	Radial Clearance
B_{UT}	-0.25 mm	Width inner ring, lower tolerance
C_{OT}	0 mm	Width outer ring, upper tolerance

Mounting dimensions

$d_{a max}$	46 mm	Connection measure Inner ring
$D_{a min}$	51 mm	Housing Connection Diameter

Temperature range

T_{min}	-60 °C	Operating temperature min.
T_{max}	200 °C	Operating temperature max.